



ELECTRONICS

AS9100 & ISO 9001 Registered

UL/ETL/CE experience

Registered SC Launch Technical Resource Provider:

www.sclaunch.org

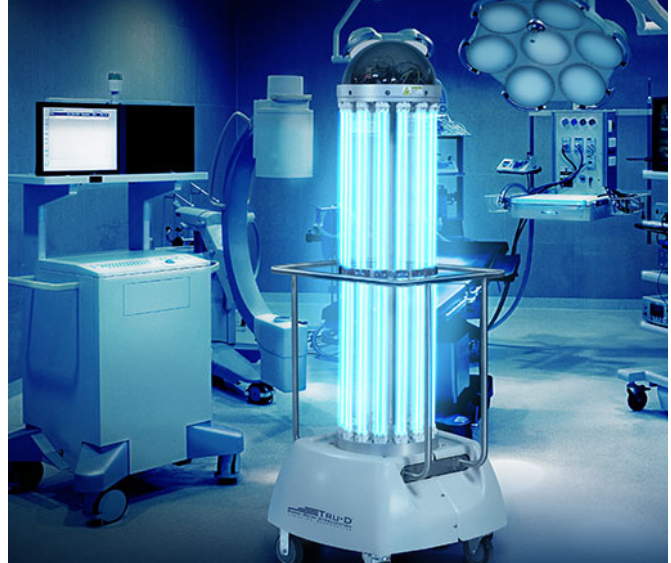
UEC assists inventors, entrepreneurs, and established companies with comprehensive or discrete phases of product commercialization including design, prototyping, production, and after market support. In-house design and manufacturing capabilities facilitate seamless transitions between product development phases to ensure rapid entry into market place, ongoing spiral development, and consistent and logical planning and oversight.

UEC has developed and is currently the original equipment manufacturer of hundreds of products.

CORE COMPETENCIES

INVENTOR RESOURCE:

CONCEPTUALIZATION THROUGH COMMERCIALIZATION



CAPABILITIES

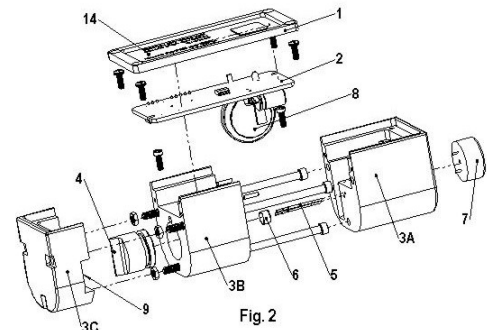
Comprehensive Program Management:

- Customer Focus – Dedicated UEC Point of Contact for Customer Interaction
- Opportunity Analysis and Market Research
- Patent Assistance
- Critical Path Schedule Development and Compliance
- Risk Management – Identification, Avoidance, and Mitigation

Multi-disciplined and Concurrent Engineering

TOTAL SOLUTIONS REALIZATION

- Development of Product Specification and Performance Criteria
- Conceptual and Detailed Design, System Hardware, Software
- 3D Modeling, Computer Simulation, Rendering
- Technical Drawing Packages and Controlled Source Code



CAPABILITIES CONTINUED

Rapid Prototyping and Proof of Concept

- Verification Testing of Critical Performance Parameters
- Form, Fit and Function Evaluations
- Optimize Manufacturability, Producibility, Affordability and Reliability

Certification Testing

- Certification Facilitation (e.g. UL, ETL, CE)

Low to High Volume Production

- ISO 9001 and AS9100 Registered Quality System
- State of the Art Manufacturing and Test Equipment
 - Circuit Card Assemblies
 - Wire and Cable Assemblies
 - Complex Assemblies
 - Integrated Systems
- Sophisticated and Responsive Supply Chain Management
- ERP (Enterprise Resource Planning) System
- Fixture, Tooling Design and Build
- First Article Testing
- Final Validation and Verification Testing
- Production Part Approval Process (PPAP)

After Market Support

- Warranty and Repair
- Product Support and Obsolescence Mitigation
- Upgrades and Enhancements

