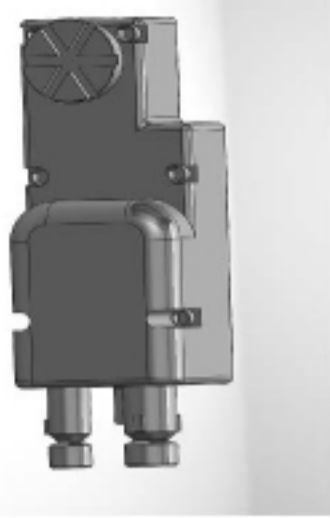
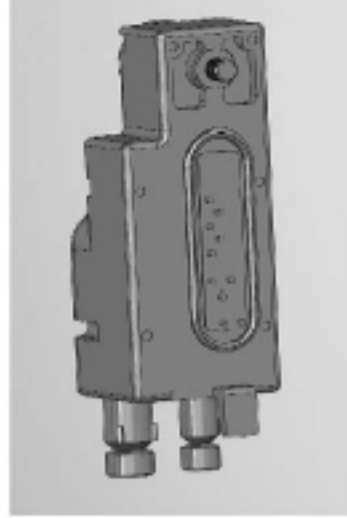




UEC Electronics
5914 Howard Street, Hanahan, SC 29410
843-552-8682



Front



Back

Rifleman AN/PRC 154 Charger dual input and dual output side connector (sidePAN)

EFB P/N: 1-15159-00

Charger Description

EFB's Rifleman AN/PRC 154 Charger with side connector provides an output to exchange data between an EUD and Radio in a vest or personal equipment mounted package. The Sidehat connected to charger may be used as part of the SWIPES™ unit or separately powered using the SWIPES™ Power Cable, AM/GF (EFB P/N 1-15500-00). The Sidehat connector provides 5V, up to 1A, of power for USB or other radio accessories. There are no LED indicators for the operation of this power.

Compatible with the following batteries & Power Source

BA-8180/U, BA-8140/U, ZA-8140S, ZA-8150, IPS HUB, BA-5590/U, BA-5390/U, BA-2590/U, BB-390/U, BB-590/U

DC Input

5 VDC Nominal

Output

1 Amp 5 VDC Maximum

Operational Temperature

-20°C to +60°C (-4°F to +140°F)

Storage Temperature

-40°C to +100°C (-40°F to +212°F)

Dimensions (WxDxL)

8.4201 X 2.8448 X 2.6416 Centimeters (3.315 x 1.12 x 1.040 Inches) Nominal

Weight

0.06486 kg (0.143 lb) Nominal

Environmental

-Humidity 95%

-Altitude 50,000 ft