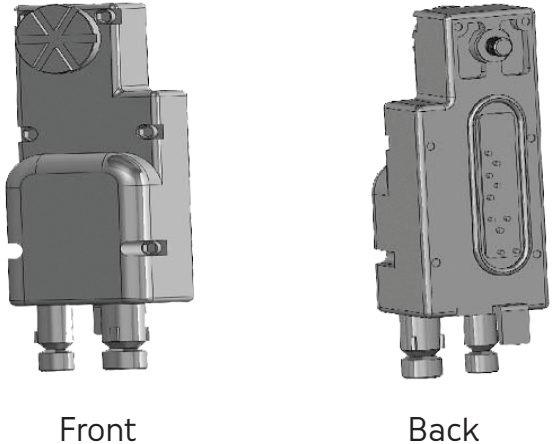
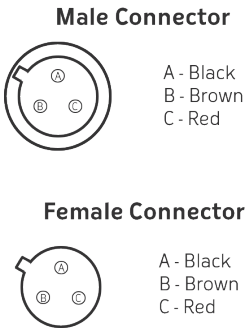




PRODUCT SPECIFICATION

RIFLEMAN AN/PRC 154 CHARGER DUAL INPUT AND DUAL OUTPUT SIDE CONNECTOR (SIDEPAN)

The Rifleman AN/PRC 154 Charger with side connector provides an output to exchange data between an EUD and Radio in a vest or personal equipment mounted package. The Sidehat connected to charger may be used as part of the Soldier Worn Integrated Power Equipment System (SWIPES™) unit or separately powered using a SWIPES™ compatible power cable. The Sidehat connector provides 5V, up to 1A, of power for USB or other radio accessories. There are no LED indicators for the operation of this power.



GENERAL SPECIFICATIONS

Compatible with the following batteries & Power Source:

- BA-8180/U
- BA-8140/U
- BA-5590/U
- BA-5390/U
- BA-2590/U
- BB-390/U
- BB-590/U
- Li-145
- CWB-85
- CWB-150
- SWIPES Power Hub

DC Input:
5 VDC Nominal

Output:
1 Amp 5 VDC Maximum

Operational Temperature:
-20°C to +60°C (-4°F to +140°F)

Storage Temperature:
-40°C to +100°C (-40°F to +212°F)

Dimensions (WxDxL):
8.4201 X 2.8448 X 2.6416 cm (3.315 x 1.12 x 1.040 inches)

Weight:
64.86 g / 0.143 lb

Environmental:
Humidity 95%
Altitude 50,000 ft

Part Numbers:
EFB: 1-15159-00
UEC: 1009A01-001
NSN: 6130016185990