



PRODUCT SPECIFICATION

AN/PRC-152 FALCON III DC ADAPTER

The Falcon III DC Adapter allows the operator to replace the existing battery on an AN/PRC-152. The Falcon III DC Adapter used in conjunction with the BA-8140/U will provide approximately 160hrs of continuous use. This adapter is packaged with the EFB P/N 501377-HM XX90 Battery Adapter Cable.



GENERAL SPECIFICATIONS

Compatible with the following batteries:
 BA-8180/U, BA-8140/U, ZA-8125, ZA-8150,
 BA-5590/U, BA-5390/U, BB-2590/U, BB-390/U, BB-590/U

DC Input:
 12 VDC Nominal

DC Output:
 12.6 VDC Max

Operational Temperature:
 -20°C to +60°C (-4°F to +140°F)

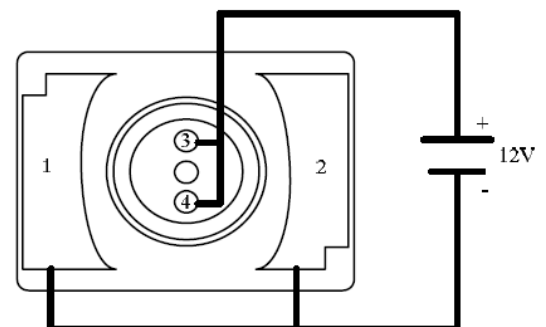
Dimensions (WxDxL):
 3.4" x 2.6" x 1.5"

BA-8180/U, BA-8140/U, OR XX90 SIDE	DEVICE SIDE
6,7	1,2
1,2	3,4

Weight:
 0.85 lb

Environmental:
 Humidity 95%
 Altitude 50,000 ft
 IP67

Part Numbers:
 EFB: 1-10080-00
 NSN: 5965-01-578-3197



WHEN CONNECTED TO BA-8180/U, 8140/U, OR XX90